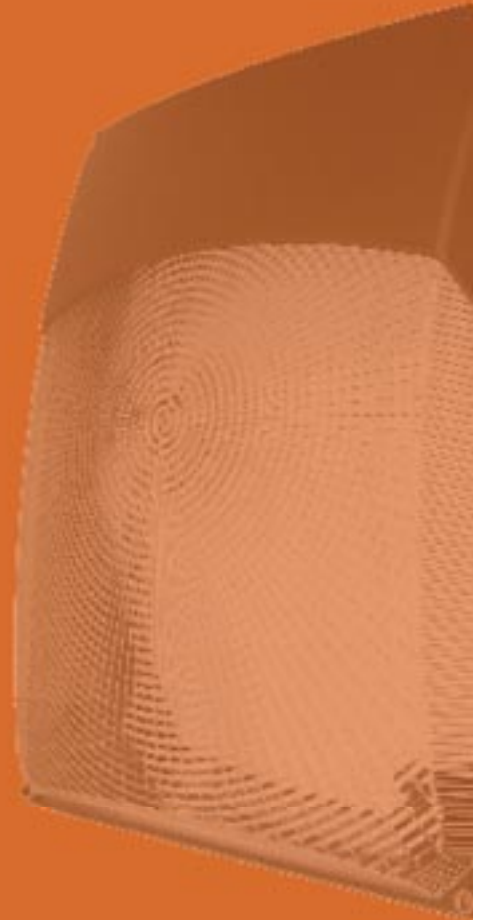
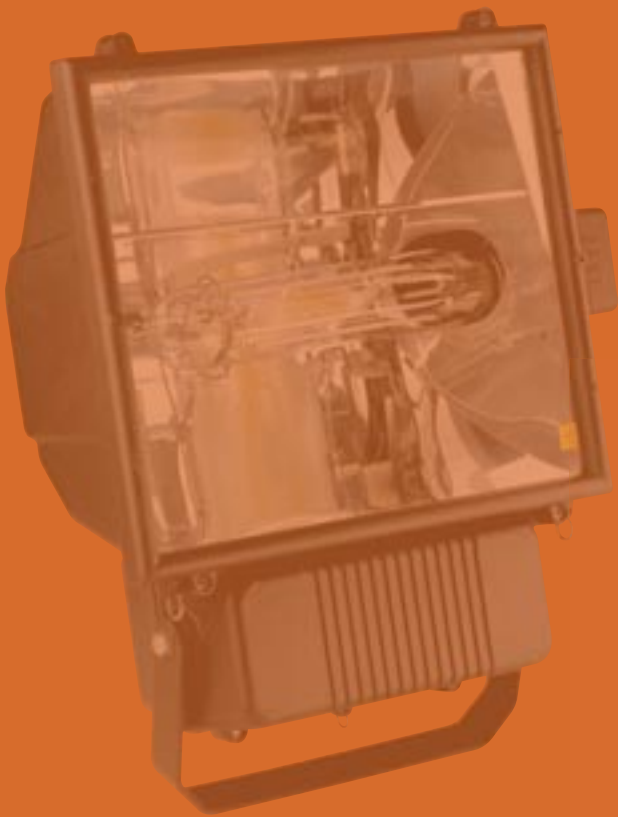


Wall Packs	104
Ceiling and Canopy	105
Ground Lights and Driveovers	106-107
Bollards	108-109
Flood Lights	110-115
Sign Lights	116



WALL PACKS



COMPACT BULKHEADS

Two distinctively designed wallpacks with universal applications. As well as a high output discharge version the 2D fluorescent luminaire has the advantage of optional integral maintained emergency backup. See the Stratus amenity section for more extensive exterior bulkhead solutions



IP65

COMPOLY BULKHEAD

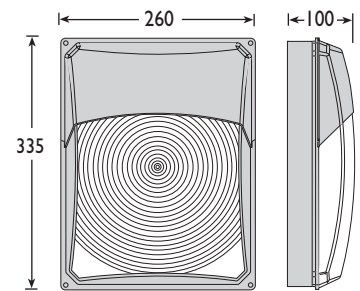
Part No.	Description	Code
DISCHARGE		
AM-COMBH70S	70W Son-E Int ES	4361
AM-COMBH70SPC	70W Son-E + P/Cell	4362
AM-COMBH70SW	70W Son-E White	4361
AM-COMBH70SWPC	70W Son-E Whi + P/C	4362
FLUORESCENT		
AM-COMBH282D	28W 2D	4416
AM-COMBH382D	38W 2D	4417
AM-COMBH282DE3	28W 2D Emerg	4426
AM-COMBH382DE3	38W 2D Emerg	4427

Suffix:
PC = Factory Fitted Photocell
W = White Body (Standard Black)



SPECIFICATION

- Black or white polycarbonate body
- Clear prismatic polycarbonate diffuser (White opal available to order)
- 42W and 57W available to order



PROBE 2

Part No.	Description	Code
DISCHARGE		
AM-PR70S	70W Son-E Int ES	4361
AM-PR80M	80W MBFU	4360
AM-PR70H	70W M/Halide ES Elipt	4363
AM-PR100H	100W M/Halide ES Elipt	4365
PHOTOCELL VERSION		
AM-PR70S/PC	70W Son-E + P/Cell	4362
AM-PR80M/PC	80W MBFU + P/Cell	4360
AM-PR70H/PC	70W M/Halide + P/Cell	4364
AM-PR100H/PC	100W M/Halide + P/Cell	4366

Part No.	Description	Code
FLUORESCENT		
AM-PR2D28	28W 2D	4416
AM-PR2D38	38W 2D	4417

Part No.	Description	Code
EMERGENCY VERSION		
AM-PR2D28E3	28W 2D Emergency	4426
AM-PR2D38E3	38W 2D Emergency	4427

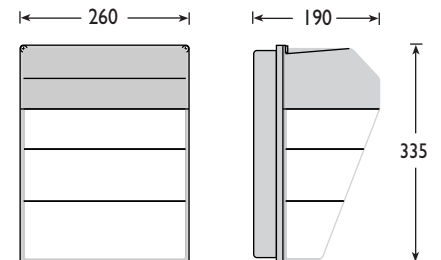
Suffix:
PC = Factory Fitted Photocell
W = White Body (Standard Black)

ACCESSORIES TO SUIT ALL MODELS		
AM-PRWG	Wire Mesh	4379
	Protective cage	



SPECIFICATION

- Includes Lamps
- Tough anti-corrosive polycarbonate construction (Black as standard, White available)
- Quality polished aluminium reflector
- IP65 Rating, certified to EN60598
- Fluorescent versions have switch start gear as standard, HF available to order
- Photocell versions available
- Protective cage available
- Wall and column top mounting



IDEAL FOR

- Buildings Facades
- Car Parks
- Marshalling Yards
- Storage Yards
- Pathways
- Sports Areas
- Swimming Pool Exteriors
- Security Lighting
- Garage Forecourts

■ Column top adaptors see page 122





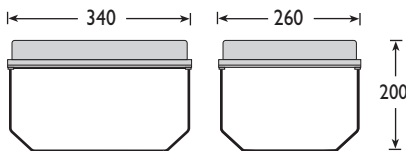
IP65

AUTOPARK

The Autopark is designed for surface mounting in multi-storey car parks and similar low ceiling applications, allowing the Autopark to be used to light vulnerable public areas and outdoor car parks.

SPECIFICATION

- Includes lamps
- Tough polycarbonate body construction (Black as standard, white available)
- Designed to optimise light output
- Emergency lighting models available in 2D only
- Built in photocell available for all types available (Photocell not recommended for indoor use or covered areas)



AUTOPARK

Part No.	Description	Code
DISCHARGE		
AM-APRK70S	70W Son-E Int ES	4361
AM-APRK150S	150W Son-T GES	4361
AM-APRK80M	80W MBFU	4360
AM-APRK125M	125W MBFU	4360
AM-APRK70H	70W M/H Elipt ES	4363
AM-APRK100H	100W M/H Elipt ES	4365
AM-APRK150H	150W M/H Elipt ES	4365
FLUORESCENT		
AM-APRK2D28	28W 2D	4416
AM-APRK2D38	38W 2D	4417
AM-APRK2D28E3	28W 2D Emergency	4426
AM-APRK2D38E3	38W 2D Emergency	4427

Suffix:

PC = Factory Fitted Photocell

W = White Body (Standard Black)

ACCESSORIES TO SUIT ALL MODELS

AM-APRKWG Wire Mesh protective cage

UNDERCANOPY

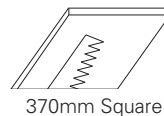


IP54

Canopy fittings for recessed mounting available with flat clear glass or polycarbonate prismatic pyramid lens. High quality aluminium reflector gives accurate light cut off that complies with the relevant safety regulations and planning authority guidelines.

SPECIFICATION

- Includes lamps
- Canopy fittings for recessed mounting
- Removable gear tray system
- Formed from Zinc coated sheet steel with a durable white polyester paint finish
- High Performance photometrics available with a wide choice of lamps
- Choice of lens and reflector system available:
- Tough flat glass with highly polished reflector and front access to lamp
- Pyramid polycarb lens version supplied as standard without reflector to allow for both front & rear lamp access (Ideal for food environment and sealed ceilings)
- 400W version has gear mounted in a remote box (included)



UNDERCANOPY

Part No.	Description	Code
AM-UC150S	150W Son T GES	8261
AM-UC250S	250W Son T GES	8262
AM-UC400S	400W Son T GES	8264
AM-UC250M	250W MBFU	8262
AM-UC400M	400W MBFU	8264
AM-UC250H	250W M/H T-GES	8262
AM-UC400H	400W M/H T-GES	8264

Clear flat glass lens as standard

Suffix:

PPP = Polycarbonate Prismatic Pyramid Lens

Dimensions: 315mm deep, Bezel = 400mm Sq.

LAMP GUIDE

See pages 143-145 for a comprehensive lamp guide



■ Full range of exterior bulkheads see page 60-63

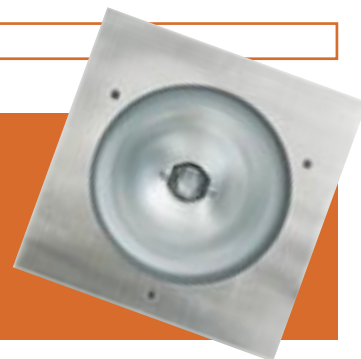
EXTERIOR IN GROUND LUMINAIRE

DISCHARGE & FLUORESCENT GROUNDLIGHTS

A versatile group of very high quality in ground luminaires, designed to light areas when a touch of sophistication is required. Ideal for walkover and light driveover traffic, uplighting applications for building facades, trees, parks and pedestrian areas.



IP67



SANDHURST ROUND DIRECTIONAL

Part No.	Description	Code
AM-SARN70	70W M/Halide G12	4465
AM-SARN150	150W MHalide G12	4466
AM-SARN26*	26W PLT 2 Pin	4467

Stainless steel top

*Non Adjustable Reflector



SPECIFICATION

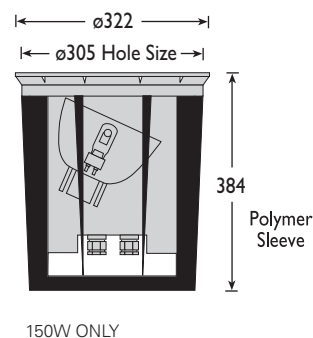
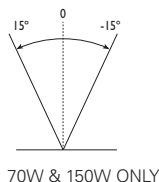
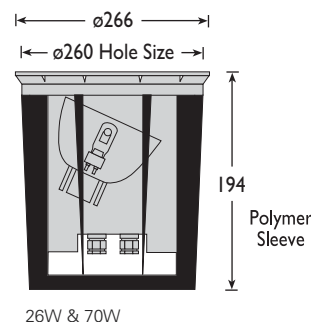
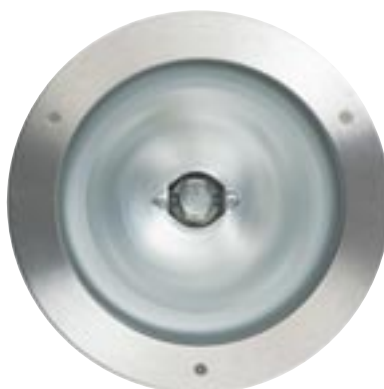
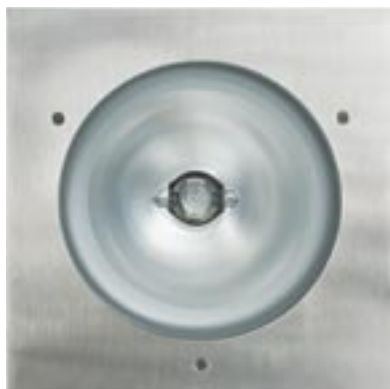
- Only halide version includes lamps
- Static load 5000Kg (Light traffic)
- Toughened safety glass (Half frosted)
- 3 stainless steel Hex screws (Allen key)
- Adjustable 5° beam as standard, special 23° beam available on request
- Adjustable reflector to direct light on metal halide versions ±15° only
- Stainless steel bezel, 4mm rise (anti-trip)
- Includes polypropylene sleeved mounting base. Note: For the square fixture it is important to align the unit fixing points when installing the mounting base to ensure symmetry with other fixtures.

SANDHURST SQUARE DIRECTIONAL

Part No.	Description	Code
AM-SASQ70	70W M/Halide G12	4465
AM-SASQ150	150W MHalide G12	4466
AM-SASQ26*	26W PLT 2 Pin	4467

Stainless steel top

*Non Adjustable Reflector



EXTERNAL GROUND LIGHTS MUST BE MOUNTED WITH A SOAK AWAY CLEARANCE BENEATH



IDEAL FOR

- Building facades
- Shopping centres
- Driveway and paths
- Churches & architectural landscapes
- Atria & reception
- Monuments
- Gardens and parks
- Walkways & public areas
- Building perimeters
- Houses & flats

■ An extensive range of LED groundlights see pages 16-19



IP67

MAINS & LOW VOLTAGE GROUNDLIGHTS

A range of compact luminaires using the popular GU10 lamp and the latest technology LED lamps. Ideally suited for more compact areas.

SPECIFICATION

- A top quality drive over with a 21 superbright LED lamp life in excess of 50,000 hours
- Quality satin chrome bezel and cast mounting sleeve, pre-wired for 240V
- Low Energy consumption only 7W



SPECIFICATION

- A high quality cast satin chrome GU10 240V ground light with mounting sleeve
- Suitable for use with 240V Luxeon and cluster retrofit GU10 LEDs



SPECIFICATION

- A very high quality machined stainless steel ground light with single 1W Luxeon LED and driver
- LED lamp life in excess of 50,000 hours
- A very high quality machined stainless steel low voltage ground light with 50mm diameter 20W lamp and suitable for use with LV Luxeon and cluster retrofit GX5.3LEDs



SPECIFICATION

- Compact and powerful LEDs provide stunning effects, housed in a small stainless steel housing
- Includes LED and 2m cable, 12V LinkLite connector and regulator
- LED lamp life in excess of 50,000 hours



SPECIFICATION

- Wire wound weather resistant transformers suitable for driving low voltage and low wattage LED lamps and new optional timer
- IP44 rated so need to be protected in a higher rated enclosure if mounted in exposed or continually wet environments
- Supplied pre-wired with plug and LinkLite connector
- Soft PVC sheath ensures protection and ability for low voltage connectors on fittings to penetrate without complicated wiring



SECTOR

IP67 240V GROUND LIGHT DRIVEOVER LED UPLIGHTERS

Part No.	Description	Code
LED Walkover		
SGR21BLEED	150x150 21xLED Blue	4469
SGR21WLED	150x150 21xLED White	4469

SECTOR

IP67 240V GU10 GROUND LIGHT WALKOVER UPLIGHTERS

Part No.	Description	Code
GU10 Walkover		
SGRGU/GZ	95x130 20W / GU10 LED	4465

SECTOR

IP67 12V WALKOVER LINKLIGHT SYSTEM

Part No.	Description	Code
LED Walkover		
SL12VLUXGL BLU	38x100 1W 12V Blue	4468
SL12VLUXGL WHI	38x100 1W 12V White	4468
50mm LV Walkover		
SL12V50GL SCH	72x110 20W 12V	4465

IP67 12V RECESSED MARKER LINKLIGHTS

Part No.	Description	Code
LED Walkover		
SL12V4LED BLU	36x30 1W 12V 4xLED Blue	4468
SL12V4LED WHI	36x30 1W 12V 4xLED White	4468
SL12V1HP BLU	36x30 1W 12V 1xHP LED Blue	4468
SL12V1HP WHI	36x30 1W 12V 1xHP LED White	4468

SECTOR

12V LINKLIGHT ACCESSORIES

Part No.	Description	Code
Transformers		
SL12VT60	1-60VA 12V	4290
SL12VT150	1-150VA 12V	4294
1mm Cables		
SL12VC25	25mm Black Cable	8620
SL12VC50	50mm Black Cable	8620
Accessories		
SL12VCON	Spare LinkLite Connector	8620
SL12VDDT	IP44 Dusk Dawn Timer	8620
SL12V65LED	0-65W IP20 Universal Driver	4292

BOLLARDS

PVC & POLYCARBONATE BOLLARD

Clean, modern styling to complement the appearance of both landscape and structure by day or night. Black textured exterior finish and opal diffuser. Tough PVC body construction and strong moulded polycarbonate head, providing good vandal resistance.



IP54



SECTOR

ROOT MOUNT- OPAL LENS

Part No.	Description	Code
Mains		
SBLR150ES	150W mains ES	4491
Fluorescent		
SBLR42HF	42W TC-TE HF	4495
SBLR42HF/E3	42W TC-TE HF E3	4495
Discharge		
SBLR70SON	70W SON-E INT ES	4498
SBLR70MH	70W M/H ES	4498

SURFACE MOUNT - OPAL LENS

Part No.	Description	Code
Mains		
SBLS150ES	150W mains ES	4491
Fluorescent		
SBLS42HF	42W TC-TE HF	4495
SBLS42HF/E3	42W TC-TE HF E3	4495
Discharge		
SBLS70SON	70W SON-E INT ES	4498
SBLS70MH	70W M/H ES	4498

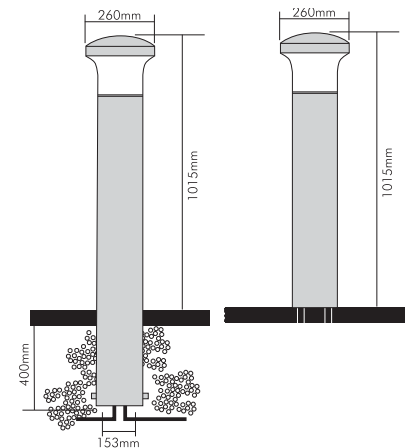


SPECIFICATION

- Discharge fittings come with lamp
- Mains GLS & Fluorescent require lamp
- Rigid & strong black PVC tube
- Root mounted as standard, Flange Plate versions also available
- Modern aesthetic styling
- IP54 rating
- Opal polycarbonate diffuser as standard
- Easy lamp replacement by three stainless steel Allen bolts in head
- HF control gear standard on CFL models
- Metal base and clear diffuser options available to order

Root Mounted

Surface Mounted



ROOT MOUNT LED (Cool White LED) Fresnel Lens

Part No.	Description	Code
SBLR9LEDCW1F	Fresnel 9x1w LED's	4497

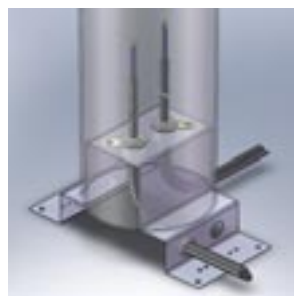
SURFACE MOUNT LED (Cool White LED) Fresnel Lens

Part No.	Description	Code
SBLS9LEDCW1F	Fresnel 9x1w LED's	4497



OPTIONAL FIRST FIX ROOT MOUNTING KIT

Part No.	Description
SBLR1ROOT	Cable management bracket



First fix cable management bracket for root mount option.

LED SPECIFICATION

- White louvre, clear fresnel diffuser
- Cool white 6500k typical CRI 70 - 1w high power LED chips
- Maintenance free operation fit and forget for life of the product
- 50k hrs = 16.5yrs life @ 3000 hrs per year
- Energy efficient
- Instant light
- Unlimited switching
- No UV emitted from LED's
- Achieving 4.08M spacing between fittings with minimum 10 lux
- 100-265V 0/50/60Hz

SUFFIX TABLE:

Control Gear Options:

E3 = Integral emergency version (LED & CFL only)

Other Options:

/PC = Factory fitted photocell

ALUMINIUM BOLLARD

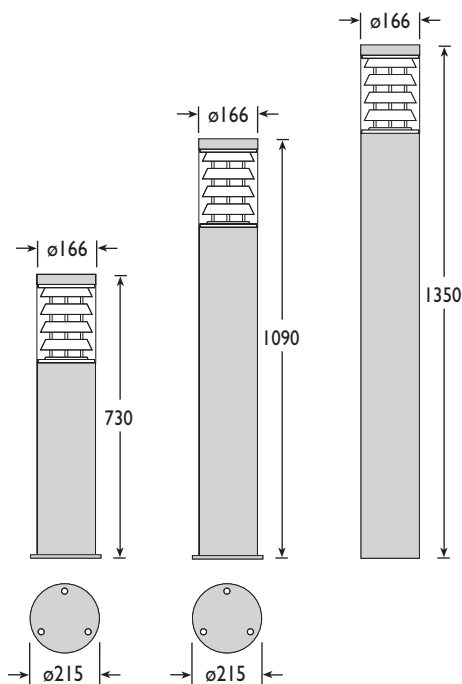
Clean, modern styling to complement the appearance of both landscape and structure by day or night. Black textured exterior finish and white louvre. Tough aluminium body construction and strong moulded polycarbonate head, providing good vandal resistance.



IP54

SPECIFICATION

- Discharge fittings come with lamp
- Mains GLS & Fluorescent require lamp
- Root mounted as standard, Flange Plate versions also available
- Modern aesthetic styling
- Tough cast aluminium tube with thermo polymer head
- IP54 rating
- White louvre
- Clear polycarbonate diffuser
- Easy lamp replacement by three stainless steel Allen bolts in head
- Special Colours to order
- 57WTCTE available to order



1350MM ROOTED

Part No.	Description	Code
DISCHARGE		
AM-BOL50S	50W SON-E INT ES	4498
AM-BOL70S	70W SON-E INT ES	4498
AM-BOL50M	50W MBFU	4498
AM-BOL80M	80W MBFU	4498
AM-BOL70H	70W M/H ELIPT ES	4498
MAINS & FLUORESCENT		
AM-BOL100	100W GLS ES	4491
AM-BOL26	26W TCD S/Start	4495
AM-BOL26HF	26W TCDE HF	4495
AM-BOL32HF	32W TCTE HF	4495
AM-BOL42HF	42W TCTE HF	4495

1090MM FLANGE PLATE MOUNTED

Part No.	Description	Code
DISCHARGE		
AM-BOL10FP50S	50W Son-E Int ES	4498
AM-BOL10FP70S	70W Son-E Int ES	4498
AM-BOL10FP50M	50W MBFU	4498
AM-BOL10FP80M	80W MBFU	4498
AM-BOL10FP70H	70W M/H Elipt ES	4498
MAINS & FLUORESCENT		
AM-BOL10FP100	100W GLS ES	4491
AM-BOL10FP26	26W TCD S/Start	4495
AM-BOL10FP26HF	26W TCDE HF	4495
AM-BOL10FP32HF	32W TCTE HF	4495
AM-BOL10FP42HF	42W TCTE HF	4495

730MM FLANGE PLATE MOUNTED

Part No.	Description	Code
DISCHARGE		
AM-BOL7FP50S	50W Son-E Int ES	4498
AM-BOL7FP70S	70W Son-E Int ES	4498
AM-BOL7FP50M	50W MBFU	4498
AM-BOL7FP80M	80W MBFU	4498
AM-BOL7FP70H	70W M/H Elipt ES	4498
MAINS & FLUORESCENT		
AM-BOL7FP100	100W GLS ES	4491
AM-BOL7FP26	26W TCD S/Start	4495
AM-BOL7FP26HF	26W TCDE HF	4495
AM-BOL7FP32HF	32W TCTE HF	4495
AM-BOL7FP42HF	42W TCTE HF	4495

IDEAL FOR

- Walkways
- Paths & Passageways
- Public Areas
- Architectural Landscapes
- Houses & Flats
- Gardens & Parks

LAMP GUIDE

See pages 143-145 for a comprehensive lamp guide



COMPACT FLOODLIGHTS

COMPACT POLYCARBONATE

A range of floodlights in modern thermo plastic materials to provide economy with quality. Low energy fluorescent and photocell options ensure fittings remain energy saving, ideal for general flood lighting.



IP65



COMPACT POLYCARBONATE

Part No.	Description	Code
BLACK BODY (Symmetrical Reflector)		
DISCHARGE		
EX-COMPOLY70S	70W Son-E Int ES	4353
EX-COMPOLY80M	80W MBFU	4331
EX-COMPOLY70H	70W M/Halide TD	4355
EX-COMPOLY100H	100W M/H Elipt ES	4333
FLUORESCENT		
EX-COMPOLY26	26W TCD S/Start	4536
EX-COMPOLY32HF	32W TCTE HF	4532
WITH INTEGRAL PHOTOCELL		
DISCHARGE		
EX-COMPOLY70SPC	70W Son-E Int ES	4354
EX-COMPOLY80MPC	80W MBFU	4332
EX-COMPOLY70HPC	70W M/Halide TD	4356
EX-COMPOLY100HPC	100W M/H Elipt ES	4334
FLUORESCENT		
EX-COMPOLY26PC	26W TCT S/Start	4537
EX-COMPOLY32HFPC	32W TCTE HF	4533

Suffix:

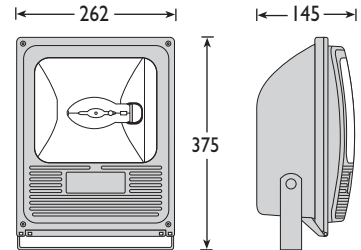
W = White Body (Standard Black)

■ 2x32W TCTE available to order



SPECIFICATION

- Includes lamps
- Tough polycarbonate anti-corrosive body & diffuser, ideal for general flood lighting
- Modern aesthetic styling
- Multiple light sources offering different intensity & quality of light
- IP65 Rating, certified to EN60598
- Built in photocell available for all types
- Windage 0.11m²



SECTOR

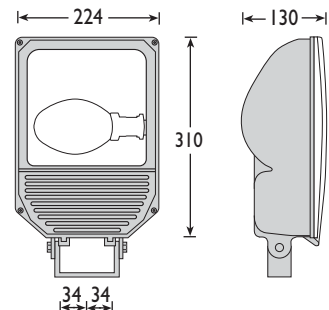
POLYCARBONATE ASYMMETRIC MINI FLOOD

Part No.	Description	Code
DISCHARGE		
SFL70A	70W Son-E Int ES	4353
FLUORESCENT		
SFL42A	42W TCTE HF	4532
WITH INTEGRAL PHOTOCELL		
DISCHARGE		
SFL70A/PC	70W Son-E Int ES	4354
FLUORESCENT		
SFL42A/PC	42W TCTE HF	4533



SPECIFICATION

- Includes lamps
- IP65 Compact discharge floodlight with innovative design
- Asymmetrical beam distribution ideal for general floodlighting where an enhanced degree of light control is needed helping to prevent light pollution
- Glass reinforced nylon body & brackets, polycarbonate lens.



IDEAL FOR

- General floodlighting
- Building facades
- Column & Post Tops
- Car parks

- Loading bays
- Security lighting
- Garden lighting
- Site perimeters
- Monuments & Parks

■ Timers and photocells see page 134





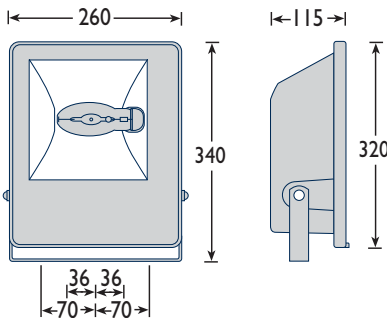
IP65

COMPACT POLYCARBONATE PROFESSIONAL

Professional floodlights with modern aesthetic styling and dynamic design offering a new concept to flood-lighting solutions. With multiple light sources and reflector options available including symmetric, asymmetric and circular projector versions offering a choice of light patterns that are ideal for applications in architectural and sculpture lighting.

SPECIFICATIONS

- Includes lamps
- Modern high quality aesthetic styling
- Multiple light sources and reflector options offering a choice of light patterns
- IP65 Rating, certified to EN60598
- Ideal for architectural & sculpture lighting
- Built in photocell available for all types
- High quality glass lens
- Tough anti corrosive polycarbonate body
- Windage: 0.09m²
- Max Weight 4.3Kg



- Symmetrical beam, ideal for general area floodlighting and column top mounting
- Asymmetrical beam, ideal for floor mounting and horizontal column top mounting
- Projection Reflector, ideal for accent lighting



All Compact Floods available to order with coloured bodies



SYMMETRIC REFLECTOR

Part No.	Description	Code
WIDE BEAM (Standard)		
EX-COMFL70S	70W Son-E Int ES	4353
EX-COMFL80M	80W MBFU	4331
EX-COMFL125M	125W MBFU	4335
EX-COMFL70H	70W M/Halide TD	4355
EX-COMFL150H	150W M/Halide TD	4339

NARROW BEAM

EX-COMNB70S	70W Son-E Int ES	4353
EX-COMNB70H	70W M/Halide TD	4355
EX-COMNB150H	150W M/Halide TD	4339

Suffix:

PC = Factory Fitted Photocell

W = White Body (Standard Black)



ASYMMETRIC REFLECTOR

Part No.	Description	Code
EX-COMAS70H	70W M/Halide TD	4355
EX-COMAS150H	150W M/Halide TD	4339

Suffix:

PC = Factory Fitted Photocell

W = White Body (Standard Black)

COMPACT ACCESSORIES

Part No.	Description	Code
EX-COMWVG	Wire Guard	4357
EX-COMVIS	Visor	4357
EX-COMLV	Louvre	4357



PROJECTION REFLECTOR

Part No.	Description	Code
EX-COMPRO70H/30	70W M/Halide TD 30° Circular Projector Reflector	4355
EX-COMPRO150H/30	150W M/Halide TD 30° Circular Projector Reflector	4339

Suffix:

PC = Factory Fitted Photocell

W = White Body (Standard Black)

LAMP GUIDE

See pages 143-145 for a comprehensive lamp guide



PROFESSIONAL FLOODLIGHTS

ULTRA POLYCARBONATE PROFESSIONAL

A versatile range of professional floodlights with high performance photometrics combined with tough all weather construction. Suitable to operate in extreme environments and all weather conditions. There are multiple light sources and reflector options available including asymmetric or symmetric and wide or specular narrow beam versions.



IP67



SYMMETRIC REFLECTOR

Part No.	Description	Code
WIDE BEAM (Standard)		
EX-ULFL150S	150W Son-T GES	4337
EX-ULFL250S	250W Son-T GES	4343
EX-ULFL400S	400W Son-T GES	4349
EX-ULFL250M	250W MBFU GES	4341
EX-ULFL250H	250W M/Halide Tub GES	4345
EX-ULFL400H	400W M/Halide Tub GES	4351
NARROW BEAM		
EX-ULNB150S	150W Son-T GES	4337
EX-ULNB250S	250W Son-T GES	4343
EX-ULNB400S	400W Son-T GES	4349
EX-ULNB250H	250W M/Halide Tub GES	4345
EX-ULNB400H	400W M/Halide Tub GES	4351

Suffix:
PC = Factory Fitted Photocell
W = White Body (Standard Black)



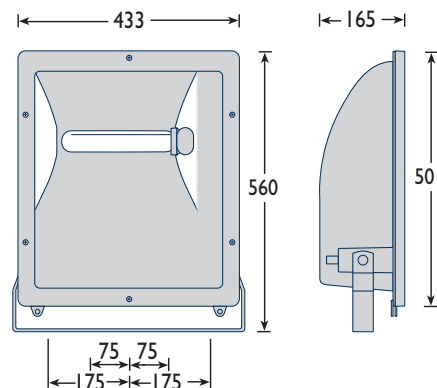
SPECIFICATION

- Supplied with lamps
- Extremely high IP67 rating, certified to EN60598
- Multiple reflector options available
- Built in photocell available for all types
- Tough anti corrosive polycarbonate body with stainless steel screws
- Removable gear tray system
- High quality glass lens
- Max Weight 11.40Kg Windage: 0.21m²
- Optical performance can be upto 30% more efficient than standard floodlights

ASYMMETRIC REFLECTOR

Part No.	Description	Code
EX-ULAS150S	150W Son-T GES	4337
EX-ULAS250S	250W Son-T GES	4343
EX-ULAS400S	400W Son-T GES	4349
EX-ULAS250H	250W M/Halide Tub GES	4345
EX-ULAS400H	400W M/Halide Tub GES	4351

Suffix:
PC = Factory Fitted Photocell
W = White Body (Standard Black)



ULTRA ACCESSORIES

Part No.	Description	Code
EX-ULLV	Louvre	4357
EX-ULVIS	Visor	4357
EX-ULWG	Wire Guard	4357



All Ultra Floods available to order with coloured bodies



IDEAL FOR

- Large Area Lighting
- Security lighting
- Sports Stadiums
- Training Grounds
- High Columns
- Building Facades
- Monuments & Parks
- School Playing Fields

■ Column top flood brackets see page 122



DIE CAST SPORT PROJECTOR

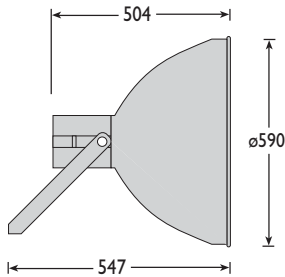


IP65

A special projector floodlight ideal for projecting light on to a building or use on a golf driving range. Tubular or elliptical lamp variants can be used in the midi to provide narrow or wide beam light projection.

SPECIFICATION

- Max weight = 16Kg (R=10Kg)
- Windage = 0.27m²



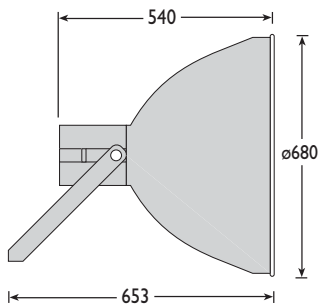
SPORT MIDI REMOTE GEAR 400W ONLY

Part No.	Description	Code
EX-SP150S	150W Son GES	4337
EX-SP250S	250W Son GES	4343
EX-SP400SR	400W Son GES	4349
EX-SP250M	250W MBFU GES	4341
EX-SP400MR	400W MBFU GES	4347
EX-SP150H	150W M/Halide GES	4339
EX-SP250H	250W M/Halide GES	4345
EX-SP400HR	400W M/Halide GES	4351

Supplied with tubular GES lamp as standard
Add Suffix: /E for Elliptical Lamp providing a wide beam

SPECIFICATION

- Max weight = 11Kg
- Windage = 0.36m²



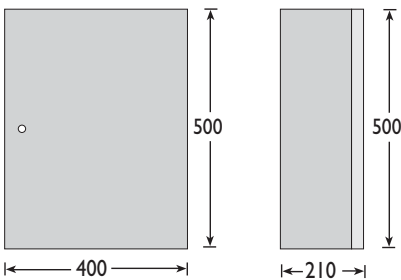
SPORT MAXI REMOTE GEAR

Part No.	Description	Code
EX-SP1000SR	1000W Son-T GES	4376
EX-SP1000HR	1000W M/Halide TUB GES	4376
EX-SP2000HR	2000W M/Halide TUB GES	4377

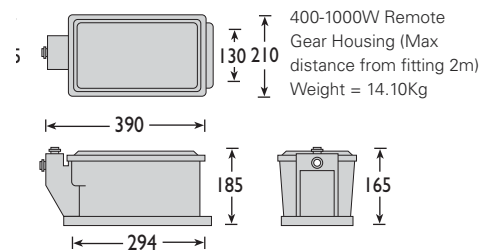
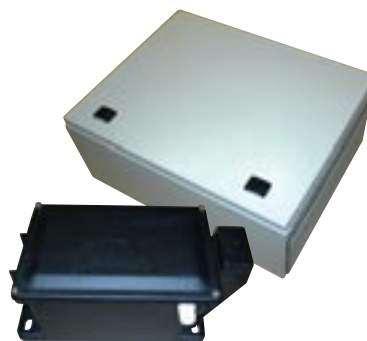
Supplied with tubular GES lamp as standard

- 2000W supplied as standard with 380-415V internal Ignitor GES E40 Tubular Lamp
240V Halide Lamp available on request

Full and professional floodlighting advice is available through Senate Systems



2000W Remote Gear Housing
(Max distance from fitting 2m) Weight = 20Kg



LAMP GUIDE

See pages 143-145 for a comprehensive lamp guide



GENERAL PUPOSE FLOODLIGHTS



DIE CAST SECTOR FLOOD

A range of general purpose floodlights with a compact and unobtrusive die cast aluminium construction and toughened glass cover providing good photometric performance.



IP65

SECTOR

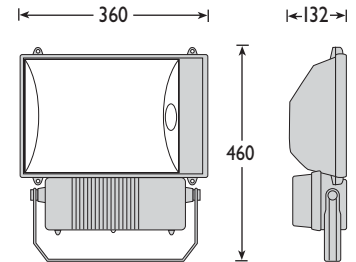
DIE CAST DISCHARGE FLOOD

Part No.	Description	Code
SODIUM		
SFL150SON	150W Son-T GES	4337
SFL250SON	250W Son-T GES	4343
SFL400SON	400W Son-T GES	4349
HALIDE		
SFL250MH	250W M/Halide GES	4345
SFL400MH	400W M/Halide GES	4351
WITH PHOTOCCELL		
SODIUM		
SFL150SON/PC	150W Son-T GES	4338
SFL250SON/PC	250W Son-T GES	4344
SFL400SON/PC	400W Son-T GES	4350
HALIDE		
SFL250MH/PC	250W M/Halide GES	4346
SFL400MH/PC	400W M/Halide GES	4352



SPECIFICATION

- Includes lamps
- Die cast aluminium construction with toughened glass cover
- IP66 Rating, certified to EN60598
- Good photometric performance
- Available with pre-installed photocells factory fitted
- Windage 0-13



SECTOR

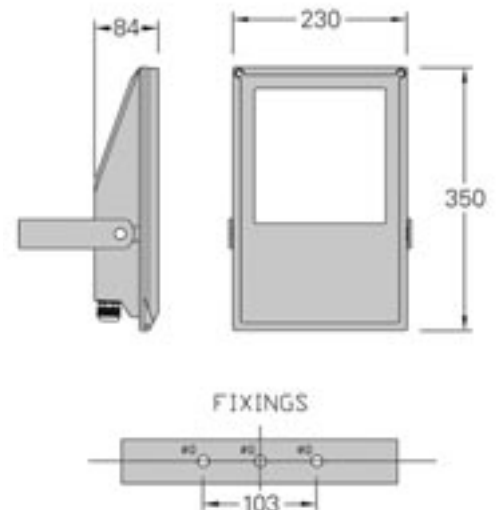
DIE CAST ASYMMETRIC MINI FLOOD

Part No.	Description	Code
DISCHARGE		
SFL70AMH	70W M/Halide TD	4355
SFL150AMH	150W M/Halide TD	4399



SPECIFICATION

- IP65 Halide Miniflood
- High quality silver powder coated cast aluminium construction
- Double ended metal halide lamps included for crisp white light
- Compact fitting with attractive slim profile and asymmetrical reflector
- Die cast aluminium construction with toughened glass cover





DIE CAST TRIDENT STADIA



IP65

Large area and sporting arena floodlights manufactured in die-cast aluminium and designed for remote gear operation. This spreads the weight of the fitting for use on column top mounting for which they are ideally suited.

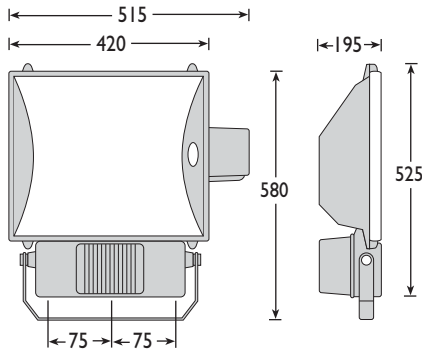
TRIDENT 1000W SON & HALIDE

Part No.	Description	Code
SYMMETRIC WIDE BEAM		
EX-TR1000S	1000W Son-T GES E40 c/w lamp, remote gear & housing	4376
EX-TR1000H	1000W Metal Halide Tubular GES E40 240V c/w lamp, remote gear & housing	4376
SYMMETRIC NARROW BEAM		
EX-TRN1000S	1000W Son-T GES E40 c/w lamp, remote gear & housing	4376
EX-TRN1000H	1000W Metal Halide, Tubular GES E40 240V c/w lamp, remote gear & housing	4376

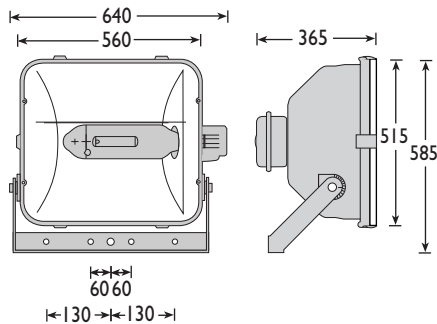
TRIDENT 2000W HALIDE

Part No.	Description	Code
SYMMETRIC WIDE BEAM		
EX-TR2000H	2000W Metal Halide Tubular GES E40 380-415V, cross phase, 2000W Single ended Internal ignitor lamp body c/w lamp, remote gear & housing	4377
SYMMETRIC NARROW BEAM		
EX-TRN2000H	2000W Metal Halide Tubular GES E40 380-415V, cross phase, 2000W Single ended Internal ignitor lamp body c/w lamp, remote gear & housing	4377

240V Single Phase versions available on request come with GES E40 External Ignitor Halide Lamp



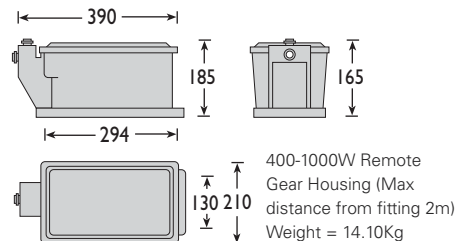
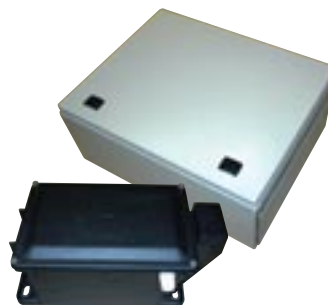
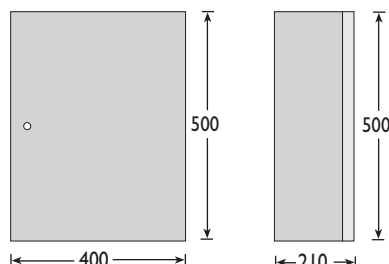
Full stadia lighting schemes available on request



SPECIFICATION

- Lamp supplied
- Compact design
- Symmetric narrow/wide beam versions
- IP65 Rating, certified to EN60598
- Remote gear housing available
- Die-cast aluminium body construction, with a wiring compartment located on the rear side of the body
- Wiring compartment on luminaire can be used as a junction box or to house the ignitor
- Max weight:
1000W 14.10Kg Body
2000W 17.6Kg Body
- Windage:
1000W = 0.227m²
2000W = 0.312m²

2000W Remote Gear Housing (Max distance from fitting 2m)
Weight = 20Kg



400-1000W Remote Gear Housing (Max distance from fitting 2m)
Weight = 14.10Kg

LAMP GUIDE

See pages 143-145 for a comprehensive lamp guide



FLUORESCENT & LOW ENERGY LINEAR SIGNLIGHTS

FLUORESCENT SIGNLIGHTS

A continuous fluorescent signlight suitable for exteriors that provides a high level of illumination and can be directed to luminate shallow signs or a whole frontage or facade. Also having the benefit of using standard T8 & T12 tubes for long life and easy lamp replacement and maintenance.



IP44/65

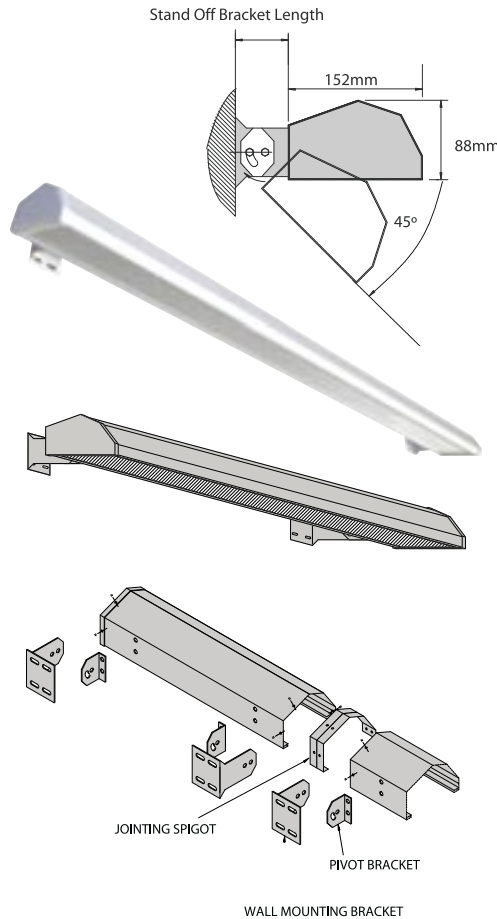


LINEAR SIGNLIGHT 65MM STAND OFF

Part No.	Description	Code
SL2/65	2ft (652mm) 1x18W	4490
SL4/65	4ft (1261mm) 1x36W	
SL5/65	5ft (1562mm) 1x58W	
SL6/65	6ft (1827mm) 1x70W	
SL8/65	8ft (2434mm) 1x100W	
SL10/65	10ft (3124mm) 2x58W	
SL12/65	12ft (3655mm) 2x70W	
SL14/65	14ft (4262mm) 1x70W + 1x100W	
SL16/65	16ft (4869mm) 2x100W	
SL18/65	18ft (5520mm) 1x18W + 2x100W	
SL20/65	20ft (6129mm) 1x36W + 2x100W	
SL22/65	22ft (6695mm) 1x70W + 2x100W	
SL24/65	24ft (7302mm) 3x100W	

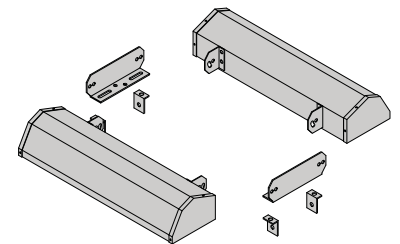
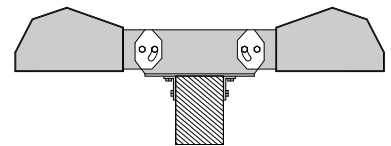
Intermediate and longer lengths available
Suffix: Standard = White finish
BLK = Black, custom colours on request

Alternative Suffix For Standoff Length:
/120
/250
/450



SPECIFICATION

- Compact design protected to IP44
- Requires Linear fluorescent tubes
- Low running & maintenance costs with use of electronic starters as standard also providing smooth tube ignition in cold conditions & extended lamp life
- Lightweight & non-corrosive aluminium construction
- Specially designed profile provides optimum internal reflection & slimline appearance
- Standard colour – Gloss White
- Luminaire head has an adjustable angle from 0-45 degrees
- Double sided signlight available to order 300mm total back to back spacing



SECTOR

LOW ENERGY FLOOD / SIGN LIGHT

Part No.	Description	Code
SIGNLOWEN26	26W TCD 2Pin 220mm	4536
SIGNLOWEN226	2x26W TCD 2Pin 460mm	4490

ACCESSORIES

SIGNLOWENARM	Sign light Arm & Besa Cover 400mm	4490
SIGNLOWENBESA	Besa Wall Mount Kit	4490
SIGNLOWENSPK	Nylon Ground Spike 200mm	4490

Suffix:
Standard = Black
/W = White



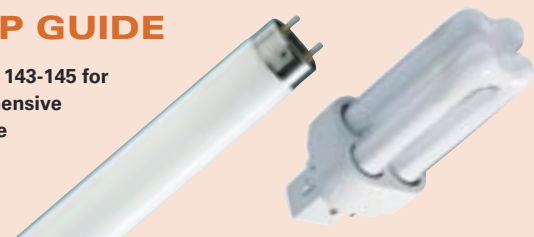
SPECIFICATION

- Slim linear design with efficient specular parabolic optic
- IP65 black polycarbonate body with stainless steel exterior fixings
- A compact area floodlight and when fitted with arm becomes a very effective and unobtrusive low energy sign light
- Includes lamps



LAMP GUIDE

See pages 143-145 for a comprehensive lamp guide



■ Asymmetrical mini floods see pages 110 & 114